



ORPHEUS FOUR

USER MANUAL



INTRODUCTION

FEATURES

- 2 x 40W analog integrated amplifier
- Preamplification bypass option for each input
- Relay based input switching
- Relative level adjustment for each input
- Software controlled master and relative input levels
- Intuitive menu driven operation, display and navigation buttons

CONTENTS

- Introduction.....2
- Front panel description.....3
- Rear panel description4
- Connections - Stereo use only.....5
- Display and menu structure.....6
- Setup and operations - 17
- Setup and operations - 2.....8
- Setup and operations - 3.....9
- Setup and operations - 4.....10
- Setup and operations - 5.....11
- Specifications.....12

UNPACKING

First check and identify the contents of your Orpheus Four package, as listed below :

- Orpheus Four integrated amplifier
- Power cord
- Orpheus Four user manual
- Warranty registration card

If any item should be damaged or missing, please inform your dealer without delay.

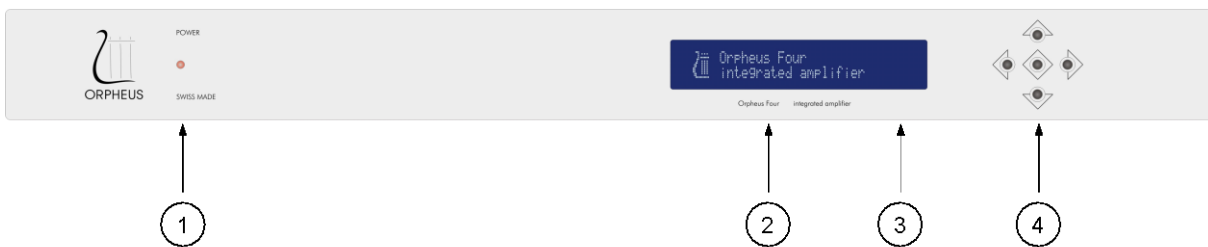
Keep the packing material, you may need it to transport the unit in the future.

READ THIS BEFORE OPERATING YOUR UNIT

- Please read this manual carefully, to assure proper operation and the best possible performances.
- Switch off the unit before connecting or disconnecting any input or output wire.
- Do not touch the inner pins of rear-panel connectors, electrostatic discharge may cause permanent damage to the unit.
- Choose the installation location of the unit carefully. Avoid placing it in direct sunlight or close to a source of heat. Avoid also locations subject to vibrations and excessive dust, heat, cold or moisture.
- To reduce the risk of fire or electric shock, do not expose the unit to rain or moisture.

- Do not use force when operating switches, knobs and other controls.
- Do not open the chassis or attempt to make repairs by yourself, as this may result in damage to the unit or electrical shock. If a foreign object should get into the unit, contact your local dealer.
- When disconnecting the power plug from the wall outlet, always pull directly on the plug, never pull the cord itself.
- We advise you to disconnect the power plug of the unit in the following cases :
 - when you plan not to use the unit for a long period of time.
 - when there is a storm, to prevent lightning damage
 - when you move the unit
- Do not attempt to clean this unit with water or chemical solvents, as this may damage the unit or the finish. Use a clean, dry cloth.
- Keep this manual in a safe place for future reference.

FRONT PANEL



1. MAIN POWER INDICATOR

Lights red when the unit is operating. Indicator light is off when the unit is switched off.

2. DISPLAY WINDOW

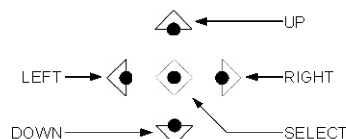
Displays the input selection and the main volume level, as well as the setup menus.

3. INFRARED REMOTE CONTROL SENSOR

Receives signals from the remote control transmitter.

4. CONTROL BUTTONS

Drive the main level and the input selection. Also used for menu navigation and unit setup.



UP & DOWN

Used for increasing, decreasing or choosing values, for instance, while adjusting levels, dimming the display or renaming inputs.

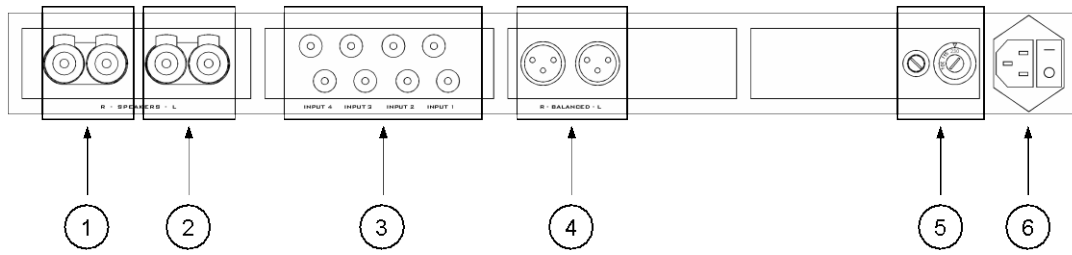
LEFT & RIGHT

Used for selecting options, menus and inputs.

SELECT

Used for entering menu structure and accessing menu options as well as confirming choices and settings.

REAR PANEL



1. OUTPUT RIGHT

Right channel output connectors.

2. OUTPUT LEFT

Left channel output connectors.

3. UNBALANCED INPUT

Stereo unbalanced inputs 1, 2, 3 and 4.

4. BALANCED INPUT

Stereo balanced input.

5. INPUT VOLTAGE SELECTOR & FUSE RECEPTACLE

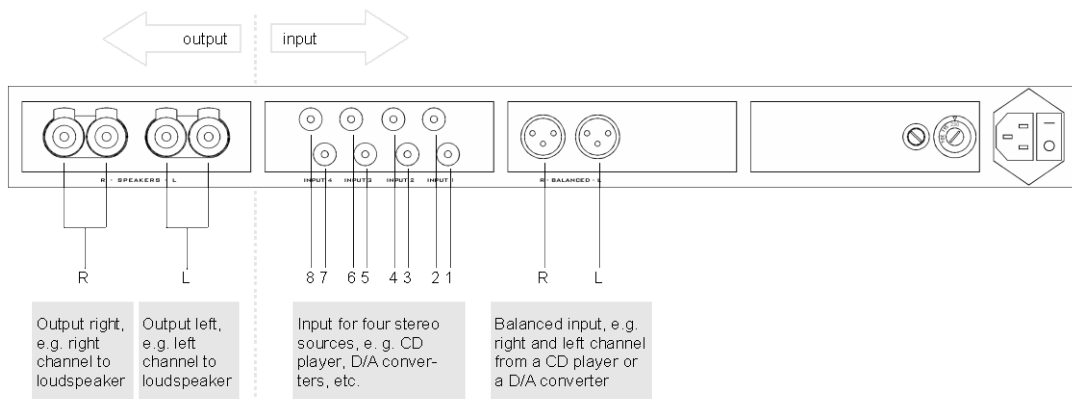
The input voltage selector switch configures the unit to the line voltage of the country where it is used.

The main fuse is located in the fuse receptacle. If it has to be changed, replace it by a T5A slow-blow fuse for 230V operation and by a T10A for 100V & 125V operation

6. POWER SUPPLY & POWER SWITCH

Power cord connection and main power switch.

CONNECTIONS - STEREO USE ONLY

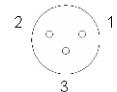


XLR INPUT CONNECTOR

Pin 1 : ground

Pin 2 : signal in phase

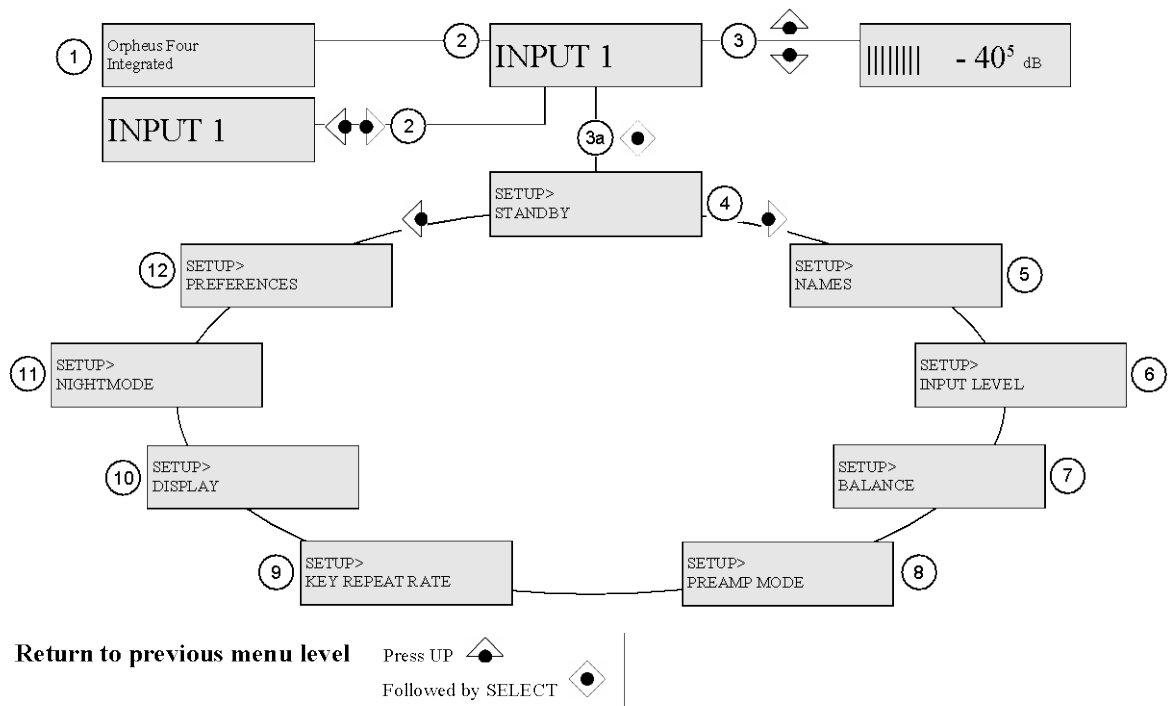
Pin 3 : signal out of phase



The balanced analogue input is not a floating input. If you wish to wire the balanced input from an unbalanced output (with RCA connector), connect pin 1 and 3 to ground and pin 2 to signal.

R : right channel
L : left channel

DISPLAY AND MENU STRUCTURE



ORPHEUS FOUR

1

SETUP AND OPERATIONS

QUICK GUIDE

POWER ON

Flip the main power switch on the right hand side of the rear panel from 0 to I.

MAIN SCREEN

After switching on the unit, the display window shows the start up screen shortly. It then switches to the default screen which shows input selections for listening.

CHOOSING AN INPUT

To choose between inputs, press the < or > until the desired input channel is displayed.

ADJUSTING MAIN VOLUME LEVEL

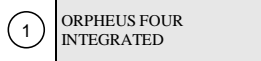
To adjust the main volume level, press ^ or v until the desired volume level is displayed.

GOING INTO STANDBY

Press ◆ twice.

LOST? RELAX...

Let the system return to the main screen automatically. After approximately 10 seconds of control button inactivity the display returns to the previous menus, and finally to the main screen.



START UP DISPLAY

The start up display is shown during 2 seconds approximately when main power is switched on. It is then replaced by the main screen.



MAIN SCREEN

The main screen is the default display during normal operation.

It shows the names of the digital input format selected

To choose between inputs, press < or > until the desired input is displayed.

Options:

- INPUT 1-4
- BALANCED

Select between the various options according to your digital source and the connection established.



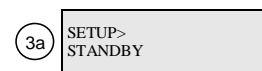
MAIN VOLUME SCREEN

The main level (volume) display is accessed from the main screen when pressing ^ or v. The volume level is indicated by a bargraph as well as linear indication in dB.

The volume can be adjusted from -70 to +10 dB in 0.5 dB steps. Below -70 dB the unit is muted, pressing ^ resumes non muted operation.

When approximately 2 seconds have elapsed since last pressing ^ or v the display returns to default display.

Alternatively press ◆ to return to default display.



SETUP MENU

From main screen press ◆ to enter setup menu.

To choose between the setup menu options press < or > until the desired option is displayed.

LEAVING SETUP MENU

At any point in the setup menu you can return to the former menu level by pressing ^ followed by ◆.

ORPHEUS FOUR

1

SETUP AND OPERATIONS

4 SETUP>
STANDBY

STANDBY MODE

Pressing **◆** puts the unit in to standby mode.

Pressing any navigation button resumes normal operation.

5 SETUP>
NAMES

INPUT NAME SETTING

To enter name setting press **◆**.

Each input can be named according to individual need and taste. The defined input name appears

SETUP>NAMES>
INPUT 1

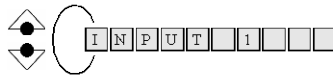
INPUT SELECTION

Select the input that should be renamed by pressing **<** or **>** until the chosen input is displayed. Press **◆** to confirm.

SETUP>NAMES>INPUT 1>
INPUT 1

RENAMING

Each input can have any individually defined name. The name can be a word with a combination of up to 10 letters or numbers.

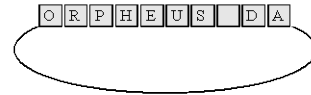


CHANGING VALUES

Press UP or DOWN to change the value.

Characters A to Z and 0 to 9, as well as space, are available.

A	B	C	D	E	F	G	H	I	J	K	L	M
N	O	P	Q	R	S	T	U	V	W	X	Y	Z
0	1	2	3	4	5	6	7	8	9			



MOVING CURSOR

Press **<** or **>** to switch from one position to the other.

SETUP>NAMES>INPUT 1>
ORPHEUS DA

NEW INPUT NAME

Press **◆** to confirm the choice and save the new input name.

SETUP AND OPERATIONS

6 SETUP>
INPUT LEVEL

INPUT LEVEL

To enter input level press **◆**.

SETUP>VOL IN>
INPUT 1 : +10.0dB

The level of each input can be adjusted from -10 to +10 dB in 0.5 dB steps.

This enables the unit to adapt to sources with varying output specifications.

To select an input press **<** or **>** until the chosen input is displayed.

Options:

- INPUT 1-4
- BALANCED

SETUP>VOL IN>
INPUT 3 : + 8.5 dB

To increase or decrease the volume in level of the chosen input press **^** or **v**

Press **◆** to confirm.

7 SETUP>
BALANCE

BALANCE SETTING

To enter balance setting mode press **◆**.

The speakers can be balanced. Each step is 0.5dB per channel, which balances 1dB between the two speakers.

SETUP>BALANCE
L: -0.5dB R: +0.5dB

To change the balance setting press **<** or **>**.

Press **◆** to confirm.

8 SETUP>
PREAMP MODE

PREAMP BYPASS

To enter preamp mode press **◆**.

This features enables to integrate the ORPHEUS FOUR unit into an existing system (home cinema for example).

Options:

- NORMAL
- BYPASS

Selecting NORMAL mode the ORPHEUS FOUR will be used as a 2x40W integrated amplifier. You can control the main level directly from your ORPHEUS FOUR, as indicated on page 7 « Main volume screen ».

Selecting BYPASS mode the ORPHEUS FOUR will be used as a 2 x 40W power amplifier. The main level will then be controlled by another unit. You can consequently integrate your unit in a multi-channel system (see next page graphic).

SETUP>PREAMP MODE>
INPUT 1 : NORMAL

To select input press **<** or **>** until the chosen input is displayed.

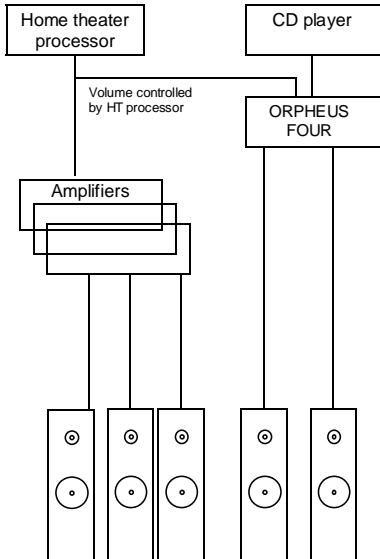
To select preamp mode press **^** or **v** until the chosen mode is displayed. (NORMAL or BYPASS)

Press **◆** to confirm.

SETUP AND OPERATIONS

PREAMP BYPASS (next)

Example of BYPASS application mode :



9 SETUP> KEY REPEAT RATE

KEY REPEAT RATE

To enter key repeat rate press **◆**.

Holding down < or > is the same as repeatedly pressing them. The repetition rate can be adjusted in three intervals.

Options:

- SLOW (0,6 seconds)
- MEDIUM (0,4 seconds)
- FAST (0,2 seconds)

To set repeat rate press < or > until the chosen mode is displayed. Press **◆** to confirm.

10 SETUP> DISPLAY

DISPLAY

To enter display mode press **◆**.

The display lighting can be adjusted from 100% to 20% in 25% steps. The main power indicator light on the left of the front panel is adjusted accordingly.

To increase or decrease the value press **▲** or **▼**.

Press **◆** to select.

11 SETUP> NIGHT MODE

NIGHT MODE

To enter night mode press **◆**.

When night mode is in position ON the display turns off automatically approx. 3 seconds after pressing any button on the remote control.

The unit is still operation and the display lighting is reactivated by pressing any control button.

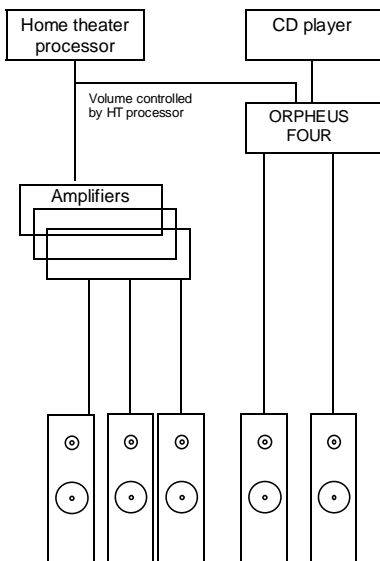
To set night mode press < or > until the chosen mode is displayed.

Press **◆** to confirm.

SETUP AND OPERATIONS

PREAMP BYPASS (next)

Example of BYPASS application mode :



9 SETUP> KEY REPEAT RATE

KEY REPEAT RATE

To enter key repeat rate press **◆**.

Holding down < or > is the same as repeatedly pressing them. The repetition rate can be adjusted in three intervals.

Options:

- SLOW (0,6 seconds)
- MEDIUM (0,4 seconds)
- FAST (0,2 seconds)

To set repeat rate press < or > until the chosen mode is displayed. Press **◆** to confirm.

10 SETUP> DISPLAY

DISPLAY

To enter display mode press **◆**.

The display lighting can be adjusted from 100% to 20% in 25% steps. The main power indicator light on the left of the front panel is adjusted accordingly.

To increase or decrease the value press **▲** or **▼**.

Press **◆** to select.

11 SETUP> NIGHT MODE

NIGHT MODE

To enter night mode press **◆**.

When night mode is in position ON the display turns off automatically approx. 3 seconds after pressing any button on the remote control.

The unit is still operation and the display lighting is reactivated by pressing any control button.

To set night mode press < or > until the chosen mode is displayed.

Press **◆** to confirm.

SETUP AND OPERATIONS

12 SETUP> PREFERENCES

To enter preferences press **◆**.

The various settings allow personalized unit configuration. The personal settings need to be saved before turning off main power.

It is possible to restore previously stored settings as well as to call back the initial factory settings.

Options:

- SAVE
- RESET
- FACTORY SETTINGS

Press **<** or **>** until the chosen mode is displayed. Press **◆** to confirm.

In case of RESET and FACTORY SETTINGS press **◆** to confirm again.

FACTORY SETTINGS has following values :

Main volume level : -40.0 dB
Default input INPUT 1
Names: INPUT 1 to 4
BALANCED
Input level : all set at 0.0 dB
Balance : set at 0.0 dB
Preamp mode : NORMALI
Key repeat rate : MEDIUM
Display : 100%
Night mode: OFF

ORPHEUS FOUR

1

SPECIFICATIONS

TECHNICAL DATA

Sensitivity : 179 mVRMS @ 8Ω
198 mVRMS @ 4Ω

Voltage gain (maximum volume)
+ 40.67 dB @ + 10 dB @ 8Ω load
+ 39.1 dB @ + 10 dB @ 4Ω load

Residual noise: 88μV RMS (A-weighted)

Measure reference : 1W in an 8Ω load = 0dBr

THD+N @ 0dBr : 0.028%
THD+N @ -30dBr : 0.11%
THD+N @ -60dBr : 2.2%
Dynamic range : 90dB
Signal/noise ratio : 90dB

Measure reference : 30W in a 4Ω load = 0 dBr

THD+N @ 0dB : 0.0049%
THD+N @ -30dBr : 0.048%
THD+N @ -60dBr : 0.62%
Dynamic range : 104dB
Signal/noise ratio : 104dB

COMMENTS

Constructive feedback is always welcome.

Please feel free to forward us your comments at the address listed below or to your local dealer or distributor.

TECHNOLOGY & DESIGN

The unit has been entirely manufactured and assembled in Switzerland; conceived by ANAGRAM Technologies SA and designed by Chiarini Design.

IMPORTANT NOTICE

Orpheus Laboratories Sàrl reserve the right to make changes to their products or discontinue any product or service without notice. Adequate operating safeguards must be used to minimize hazards. Reproduction of user manual information is permissible only if it is without alteration and is accompanied by all relevant conditions, limitations and notices. Source must be clearly identified when reproducing user manual information.

ADDRESS

ORPHEUS Laboratories Sàrl
ZI le Trési 6A
1028 Préverenges
Switzerland
+41 21 804 19 80 phone
+41 21 804 19 81 fax
info@orpheuslab.com
www.orpheuslab.com

DEALER/DISTRIBUTOR

© Orpheus Laboratories Sàrl - 2004
December 2004

ORPHEUS FOUR

1